

Trend conservatory awnings

Solarroll window awnings

Optimal all-round protection



Nova Hüppe GmbH
awnings. nordic. authentic.


nova hüppe

Trend conservatory awnings – well protected from above and below

Glass extensions continue to enjoy increasing popularity – whether as a conservatory, summer house or glass roof for the terrace.

Nova Hüppe offers a wide range of solutions for effective sun shading and protection from the heat and creates attractive design options with the shading systems in the Trend and Trend SZ ranges.

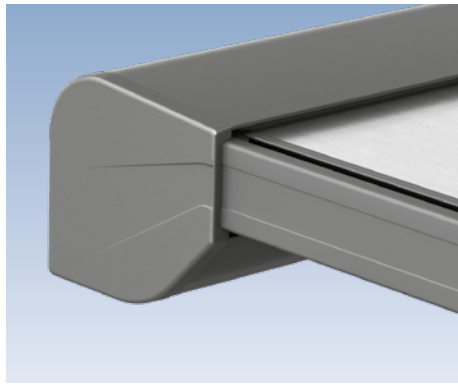
Whether large-scale glass buildings or special shapes: You will find the perfect solution in this sophisticated range for nearly all situations!

Nova Hüppe GmbH
awnings. nordic. authentic.


nova hüppe

Individual window and façade design with external textile sun shading

Vertical awnings can be visually integrated into the façade or used as standalone design elements. A wide selection of colours for the fabric and the modern design open up many fascinating possibilities – from the subtle adaptation and the building look to the contrasting design.



Side view Trend 200

Under-roof awnings

Under-roof awnings are available as the Trend 200 or Trend 250 (with or without a side seam-guided curtain).

Maximum dimensions

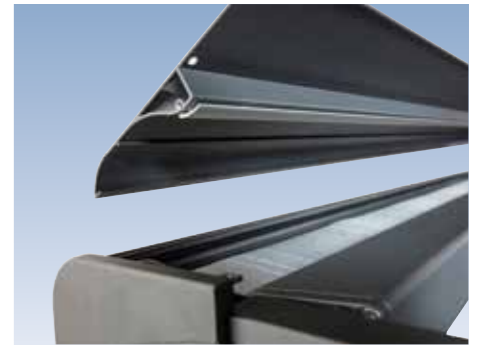
- Trend 200 6 x 4.5 m
- Trend 250 6 x 5 m
- Trend 250 SZ 6 x 5 m

Conservatory awnings

On-roof or conservatory awnings are available as the Trend 350 or Trend 550 (with or without a side seam-guided curtain).

Maximum dimensions

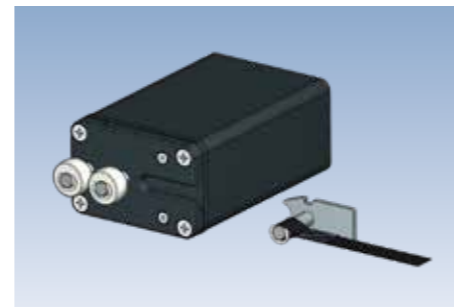
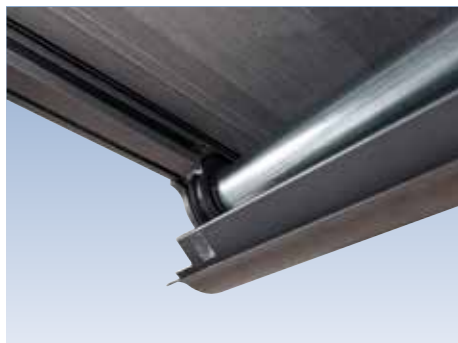
- Trend 350 6 x 5 m
- Trend 350 SZ 6 x 5 m
- Trend 550 6 x 6.5 m | 6.5 x 6 m
- Trend 550 SZ 6 x 5.5 m



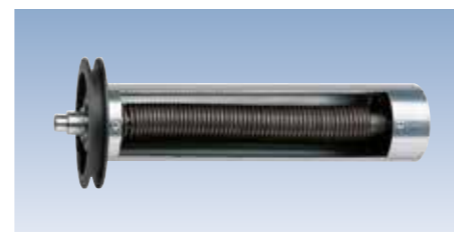
Easily removable roof profile of the Trend 350 | 350 SZ



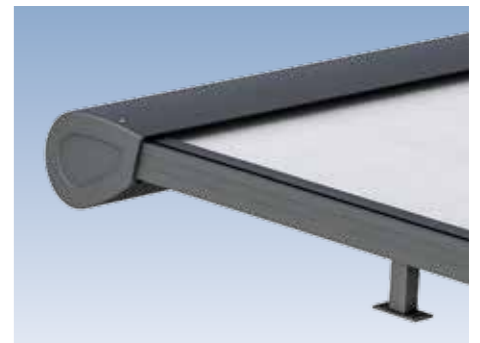
Easily removable base profile of the Trend 250 | 250 SZ



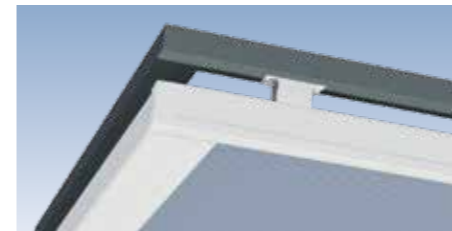
Proven function:
The pull cable mounting



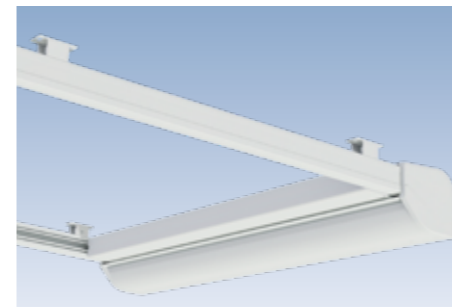
Optimal fabric tension thanks to the torsion spring principle



Side view
Trend 550 | 550 SZ



The cleverly designed guide rail brackets allow for easy installation in conjunction with the "hinge function"



The Trend 200 when retracted and extended



Trend 200 under-roof awning

Effective sun shading is also essential for open glass roofing: The Trend 200 offers the great advantage here that a pleasant textile character is created by installing it "from below" on the covered terrace.

With the Trend 200 under-roof awning, there is almost no gap to the front profile in order to achieve a very good shading effect.

The aluminium front rail provides a harmonious finished look with the awning box and simply presents a beautiful overall appearance with its rectangular design.

The optimised belt mounting makes it very easy for a tradesperson to change the fabric if it is to be replaced at a later date.





The Trend 250 has a larger fabric cassette compared to the Trend 200



This means that versions without (Trend 250) or with side seam guidance (Trend 250 SZ) are possible with a larger projection



Trend 250 | Trend 250 SZ under-roof awning

The Trend 250 impresses with its modern design, proven technology and even larger maximum dimensions than the Trend 200.

It is available as the Trend 205 SZ with a conventional awning curtain as well as with side seam-guided fabric. The maximum width of 6 m and the maximum projection of 5 m in particular are distinguishing features of this under-roof awning.

The right lighting is also essential – a new optimal solution is now available with the NovaLight LED strips. Integrated into the guide rails of the Trend 250 SZ and operated with the iO radio control, the infinitely dimmable LED light strips ensure a uniform warm white light.

The NovaLight LED strips (for the Trend 250 SZ) allow outdoor areas to be optimally used even late into the evening



Nova Hüppe GmbH
awnings. nordic. authentic.

////
nova hüppe
////

Fig. Trend 350 SZ conservatory awning | Q.bus® pergola system



Version without (Trend 350) or with side seam guidance (Trend 350 SZ)



Rock solid mounting with sturdy on-roof brackets and fabric support with an optional guide tube



Trend 350 | Trend 350 SZ conservatory awning

The Trend 350 conservatory awning is distinguished by its modern box shape and the successful design of all other components. The guide rails and the front profile that are almost flush with the end of the rails form a harmonious design line.

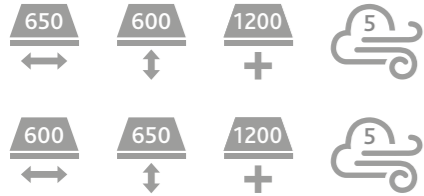
As with the other Trend awnings, the Trend 350 also includes a patented tensioning system with spring tension that is optimally adapted to every fabric size.

When retracted, the tension is only 7 kg and increases up to 25 kg depending on the projection length.

This conservatory awning can also be manufactured with or without the side seam guidance of the awning cloth.



Trend 550



Optimal protection for the awning fabric



Guide tube for fabric support

Trend 550 SZ



Trend 550 conservatory awning | Trend 550 SZ

Precision and first-class workmanship down to the last detail distinguish the Trend 550 conservatory awning from Nova Hütte. This ensures long-lasting functional safety and maximum comfort.

Its high-quality design makes this conservatory awning an exclusive design element for your conservatory.

Thanks to its robust design, the Trend 550 conservatory awning is particularly suitable for larger conservatories and is also available as the Trend 550 SZ with side seam-guided fabric.





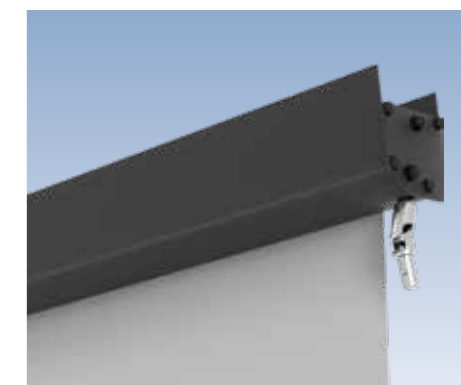
The smart retrofit kit

Simple extensions to sun shading – glass roofs for terraces or conservatories can serve to create additional living space outdoors. At the same time, the conservatory awnings in the Trend range offer effective protection against heat and the sun. This guarantees pleasant temperatures under sheltering roofs – also in the summer months.

The Trend retrofit kit for drop down valances is a simple solution ideal for supplementing previously installed Trend 200 and 250 under-glass awnings when there is no vertical shading – and that for a highly appealing price.

The solution is based on plug and play and can be installed in only a few steps. The Trend retrofit kit for drop down valances need only be screwed to the Trend 200 or Trend 250 projection profile. The system can be either operated with a winding handle or powered by a solar drive to any projection.

This solution adopts the look of the Trend conservatory awnings. Together with its box and projection profile it integrates perfectly in the overall concept. The retrofit kit is ideal as shading on widths of up to 6 metres against the low-lying sun and peering eyes.



The Trend retrofit kit for drop down valances is a plug and play mounted solution that can be either operated with a winding handle or powered by a solar drive

Technical data

Max. width	6000 mm
Max. height (Acrylic)	1500 mm
Max. height (Twilight)	2000 mm

Not possible in combination with fabric support wires!

The Trend drop down valance can be operated with a winding handle or optionally with a battery-powered electric motor (in the NovaSolar version)



Trend drop down valance

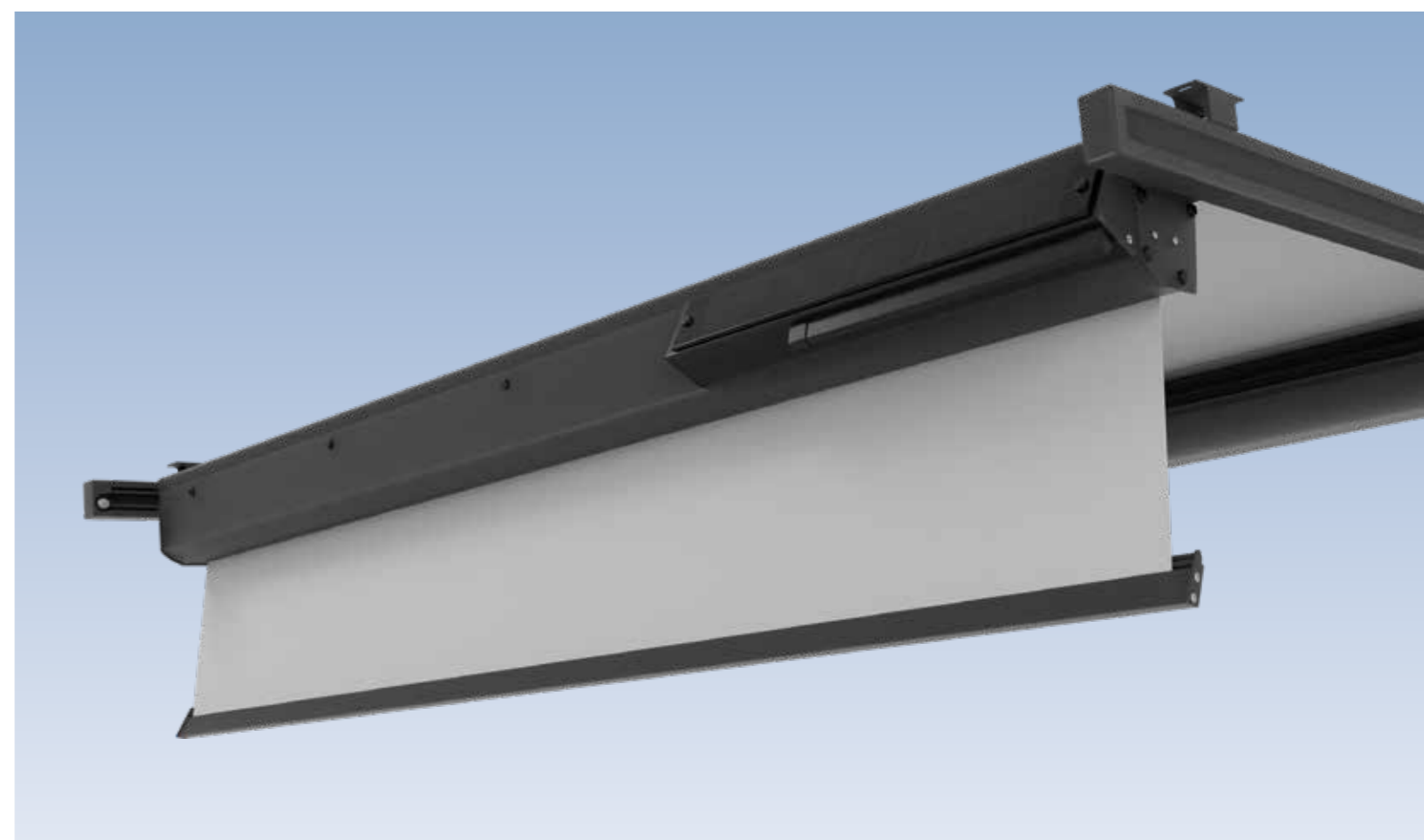
Low sun in the evening can easily be counteracted with the optional drop down valance for the Trend 200 | Trend 250 and Trend 250 SZ under-glass awnings.

The Trend drop down valance enables vertical shading even in situations where a vertical awning cannot be mounted. The extension length with our Twilight fabric recommendation can be up to 200 cm. A removable winding handle ensures easy operation and infinite adjustment of the curtain height.

NovaSolar

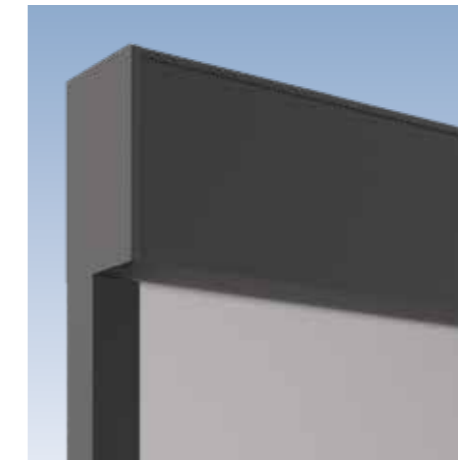
The standalone photovoltaic-based drive is a new product development that supplies solar power to both the Trend drop down valance and the Solaroll vertical awnings and can be ordered as a set. The easy-to-install solution is particularly suitable when there are no power connections.

The pitch of the solar module is optimally adapted to the position of the sun. The control and battery are integrated into the housing so that they are not visible.

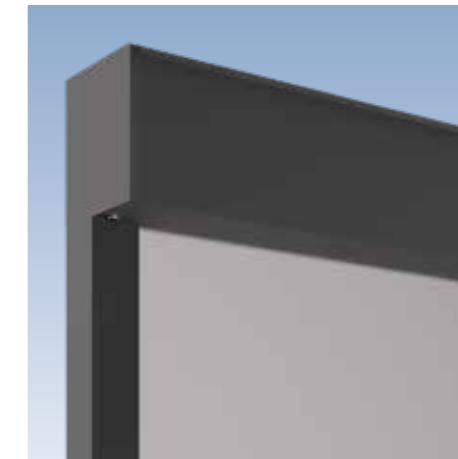




Solaroll SZ15:
150 mm x 110 mm box size



Solaroll SZ11:
110 mm x 110 mm box size



Basic projection
profile

Plus projection
profile (same price)

Solaroll SZ – vertical awnings



The vertical awnings SZ15 and SZ11 offer effective protection against heat and peering eyes. These solutions shield against direct sunlight before it even reaches the window, protect personal privacy to the desired extent, and help eliminate unpleasant dazzling.

Also the pergola system Q.bus® and glass roofs for terraces can find their perfect complement in these vertical awnings for maximised ease and convenience outdoors – and under the optimal play of fabrics at all times. The side seam guidance enhances stability and prevents the penetration of light from the side.

The SZ15 box can also take an integrated LED strip, emitting a pleasant ambience in the evening hours.

The Solaroll SZ15 and SZ11 also offer a convincing design: The top section of the vertical awning's projection profile presents a half round geometry for a harmonious whole. The bottom section is a cubic play of straight lines. In the Plus variant for the same price, the bottom seam vanishes in the extended state, underscoring this solution's visual clarity.





The Solarroll SE11 | SF11 window awnings have a box size of 110 mm x 110 mm

Solarroll SE11 with cable guidance



Solarroll SF11 with rail guidance



NovaSolar – the standalone photovoltaic-based drive supplies the Solarroll vertical awnings SZ11, SE11 or SF11 with solar energy. This easy-to-install solution is especially suitable wherever there are no power connections – it avoids the hassle of having to lay extra cables.



Solarroll window awnings

Narrow or small windows often require inconspicuous sun shading structures – but at the same time, visibility to the outside should still be unrestricted. The Solarroll window awnings have been specially developed for these requirements.

Thanks to their mounting technology, the window awnings are particularly suitable for direct mounting on window frames, but can also be mounted on conservatories or other glass extensions. Side niche mounting is also possible.



Trend conservatory awnings | Solaroll vertical- and window awnings – product overview

Type	Variant		Width			Projection Height			Drive			Frame colours			Mounting			Equipment										
	Conservatory and terrace roof	Window and façade	Min.	Max.	Max. when coupled together	Min.	Max.	Max. when coupled together	Gear unit incl. winding handle	Motor	RTS / iO radio motor	NovaSolar photovoltaics	RAL 9016 Traffic white	RAL 9006 White aluminium fine texture	RAL 9007 Grey aluminium fine texture	RAL 7016 Anthracite grey fine texture	Anthracite texture (colour 61)	Novacolor colours	RAL standard colours	Wall	Ceiling	Floor	Standard rail bracket	Extended rail bracket	Wall / floor cable bracket	Niche bracket	Drop down valance with a gear unit	Drop down valance with an electric drive ¹⁾
Trend 200	x		1380	6000	10000	1500	4500	4000	M	S	A		S	S	S	S	A	A	S	S	-	S	A	-	A	A	-	
Trend 250	x		1380	6000	10000	1500	5000	5000	-	S	A		S	S	S	S	A	A	S	S	-	S	A	-	A	A	-	
Trend 250 SZ	x		1380	6000	10000	1500	5000	5000	-	S	A		S	S	S	S	A	A	S	S	-	S	A	-	A	A	A	
Trend 350	x		1380	6000	10000	1500	5000	5000	-	S	A		S	S	S	S	A	A	-	-	-	S	A	-	A	-	-	-
Trend 350 SZ	x		1380	6000	10000	1500	5000	5000	-	S	A		S	S	S	S	A	A	-	-	-	S	A	-	A	-	-	-
Trend 550	x		1380	6500	12000	1500	6500	5000	-	S	A		S	S	S	S	A	A	-	-	-	S	A	-	A	-	-	-
Trend 550 SZ	x		1380	6000	12000	1500	5500	5500	-	S	A		S	S	S	S	A	A	-	-	-	S	A	-	A	-	-	-
Solaroll SZ15		x	1000	6000	-	1000	4000	-	-	S	A		S	S	S	S	A	A	S	S	-	S	-	-	-	-	-	A
Solaroll SZ11		x	1000	6000	-	1000	4000	-	-	S	A	x	S	S	S	S	A	A	S	S	-	S	-	-	-	-	-	-
Solaroll SE11 Cable		x	1000	4000	-	1000	3000	-	M	S	A	x	S	S	S	S	A	A	S	S	S	-	-	S	A	-	-	-
Solaroll SF11 Rail		x	1000	4000	-	1000	3000	-	M	S	A	x	S	S	S	S	A	A	S	S	-	S	-	-	A	-	-	-

1) Drop down valance with solar-battery-powered io radio motor

Please note that not all size combinations are feasible and size restrictions are possible depending on the fabric quality.

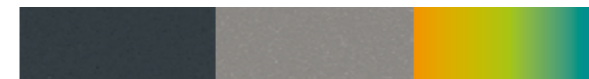
All dimensions in mm | M = Price reduction | S = Standard | A = For a surcharge | - = Not possible

Awning frame colours

Anthracite texture (colour 61) White aluminium (RAL 9006 FS) Traffic white (RAL 9016)



Anthracite grey (RAL 7016 FS) Grey aluminium (RAL 9007 FS) All RAL colours (surcharge)



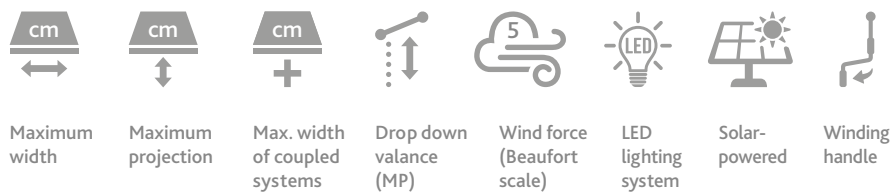
Nova Hüppe GmbH

Sun shading systems

Schmiedeweg 4+6
26135 Oldenburg, Germany
Phone +49 441 39036-0
www.novahueppe.de



Explanation of the pictograms (MP=for a surcharge):



Twilight recommended – use in a vertical direction:
Summer thermal insulation. Anti-glare protection. View to the outside. Dimensionally stable.



Smart home ready – prepared for the Somfy
Tahoma® Switch smart home system

Colour, material and technology are subject to change without notice (06.26)